



DELPHIN

USER MANUAL



User Manual
Poollift „Delphin“

Version: September 2025

Lehner Lifttechnik GmbH
Mitterweg 4
4722 Peuerbach
Austria

Tel.: +43 7276 29800
Email: office@lehnerlifttechnik.at
Web: www.lehner-lifttechnik.com

CONTENT

1	Introduction	1
2	Technical Specifications	2
2.1	Description	2
2.2	Materials used	2
3	Installation instructions	3
3.1	Fastening possibilities	3
3.2	Setting up	3
3.3	Installation	3
4	Start of operation	7
4.1	Locking	7
4.2	Carriage	7
5	Operating	7
6	Diagnostics	8
6.1	The Poollift does not move (or too slow) upwards?	8
6.2	The Poollift does not move (or too slow) downwards?	8
7	Cleansing and maintenance	9
8	Packing, Delivery and Storage	9
9	Attachments	10
9.1	List of parts	10
9.2	Mechanical scheme	11
9.3	Instruction for seal and piston placement	12
10	CE declaration of conformity	13
11	Assembly and maintenance records	14

1 INTRODUCTION

First of all, we would like to congratulate you on purchasing a *Delphin* Poollift from Lehner Lifttechnik GmbH and welcome you to our large circle of satisfied customers. For more than 30 years, our lifts have been known as reliable means of transport that are characterized by their individual adaptation to structural conditions.

The *Delphin* Poollift provides valuable assistance when entering and exiting a swimming pool. The device has been constructed in accordance with current European safety regulations.



As with any device that operates under load and has moving parts, extreme caution is required. Please read this user manual carefully. Ensure that every user of the lift has read and understood the operating instructions before using the lift. In addition to instructions for operating the device, you will also find safety instructions here.

By using this manual, you can benefit from Lehner Lifttechnik's many years of experience in the operation of stairlifts. With proper care of the system on your part and scheduled maintenance by a competent company, you will have a reliable lift system at your disposal for a long time to come.

Lehner Lifttechnik GmbH and its authorized partner companies offer you a comprehensive maintenance program tailored specifically to your system. Take advantage of the manufacturer's experience to achieve the highest possible efficiency from your stairlift system

Please keep this operation manual for future reference.

Lehner Lifttechnik GmbH expressly disclaims any liability for breakdowns caused by failure to follow these instructions, failure to comply with safety instructions, or incorrect handling.

We hope you enjoy your *Delphin*!

2 TECHNICAL SPECIFICATIONS

2.1 Description

The Delphin pool lift is powered by water pressure.

The required water pressure for a load of 85 kg is 0.3 MPa. For a maximum load of 120 kg, a water pressure of at least 0.4 MPa is required. In most households, the water pump provides the required 0.4 MPa.

The pool lift mounting is suitable for various types of swimming pools.

The pool lift is supplied with a recessed bracket or a bolted bracket. Both versions can also be fitted with an extended C-tube if the distance between the pool edge and the bracket mounting point is greater than 350 mm.

The chair automatically rotates 90° to the entry or exit point.

2.2 Materials used

- AISI 316L V4A stainless steel (cylinder, pipes, supports, sleeves, valve)
- Polypropylen (seat)
- Rubber (seal)

3 INSTALLATION INSTRUCTIONS

3.1 Fastening possibilities

Countersunk console

For this console, a hole with a diameter of at least 120 mm and a depth of 160 mm must be drilled. You can use concrete or a suitable adhesive for fastening. Before gluing the console in place, make sure that it is installed vertically and that the upper edge is flush with the floor. If the pool lift is dismantled before winter (e.g., outdoors), the recessed console can be covered with a screw cap.

Screwed console

Six small holes must be drilled for this console. You can use heavy-duty anchors or dowels for fastening. If the pool lift is dismantled, the console can simply be unscrewed.

3.2 Setting up

A minimum water depth of 1050 mm is required for installation. Please also ensure that the entry point is easily accessible for the user and that a water connection is available there.

When using a standard C-pipe, the center of the console should be at least 130 mm and no more than 350 mm from the edge of the pool. If the distance exceeds 350 mm, an extended C-pipe can be used (available on special order).

3.3 Installation

Measure the location where the console will be placed.



Fig. 3.1 – Safety ring

Countersunk console

Performing core drilling (diameter of at least 120 mm) and then gluing in the sleeve (see **Fig. 3.1 – Safety ring**)

Screwed console

Screw the console to the floor using 6 screws.

Measuring the pool edge overhang



Fig. 3.2 - Measuring the pool edge overhang

Adjusting the protrusion of the pool edge at the spacer



Fig. 3.3 - Adjusting the protrusion of the pool edge at the spacer

Removing the screws securing the C-tube



Fig. 3.4 - Removing the screws securing the C-tube

Attaching and screwing the C-tube



Fig. 3.5 - Attaching and screwing the C-tube

Inserting the safety ring into the console



Fig. 3.6 - Inserting the safety ring into the console

Placing the pool lift at the edge of the pool



Fig. 3.7 - Placing the pool lift at the edge of the pool

Insert the additional support and screw it to the console using the cap nut



Fig. 3.8 - Insert the additional support and screw it to the console using the cap nut.

Attaching the water pipe



Fig. 3.9 - Attaching the water pipe

Unhooking the pool lift lock (if locked)



Fig. 3.10 - Unhooking the pool lift lock

Hooking the seat into the designated bracket



Fig. 3.11 - Hooking the seat

Tighten the seat bracket (seat height is adjustable)



Fig. 3.12 - Tightening the seat bracket

Check the immersion depth (lower stop) and the entry height (upper stop)



Fig. 3.13 - Checking the immersion depth and entry height

4 START OF OPERATION

1. After installing the pool lift, check that all screw connections are tight.
2. Open the water supply to allow the air to escape from the pressure water pipe. Then close the water supply again.
3. Move the control lever upwards and press the cylinder downwards to allow the air to escape from it.
4. Connect the pressurized water pipe to the valve. Always use drinking water for operation, never water from the pool!
5. Adjust the entry height to the customer's requirements.

4.1 Locking

The pool lift can be locked at the upper stop and secured with a lock. This protects it from unauthorized use.



The pool lift must be unlocked before it is set in motion!

4.2 Carriage

Transport wheels are available as an option.

5 OPERATING

The control lever, located at both the entry level and the water level, ensures that you can get in and out without the help of another person.

The direction of travel is controlled by a 3-way valve. To move upwards, pull the control lever downwards, and to move downwards, pull the control lever upwards. Individual parts are shown in chapter **9.2 Mechanical scheme**.



Fig. 5.1 - 3-way-valve

6 DIAGNOSTICS

Pool lift owners can use the following points to check their equipment for faults themselves or contact service personnel in the event of a malfunction. Under no circumstances should components of the equipment be tampered with, modified, or removed.

6.1 The Poollift does not move (or too slow) upwards?

Check:

- Pressurized water supply line – must be open, pressurized water pipe must be in perfect condition
- Valve – must be in the end position (turned down)
- Water pressure – must be sufficient
- Seal in the cylinder (service)

6.2 The Poollift does not move (or too slow) downwards?

Check:

- Drainpipe – must be in perfect condition
- Valve – must be in the end position (turned upwards)
- Seal in the cylinder (service)

7 CLEANSING AND MAINTENANCE

The pool lift is very easy to maintain. Any organic and inorganic sediments must be removed from the system regularly.

Proper maintenance ensures long-term, trouble-free operation.

Please check the screw connections regularly and tighten any loose screws.

As the pool lift uses drinking water as a lubricant, it is not necessary to lubricate the parts. If the pool lift is out of service for a long period of time (e.g. in winter), we recommend moistening the seal in the cylinder before putting it back into operation.

Do not leave the pool lift installed outdoors in winter, as water remaining in the cylinder could damage the system. After dismantling the pool lift, disconnect the pressure water hose and move the operating lever to the upper position. Then push the cylinder up and down until all the water has drained out of the cylinder. Once the cylinder has been completely emptied, leave it in the upper position and lock the pool lift (if necessary) with the lock.

Maintenance of your pool lift is essential.

The replacement of seals and pistons is described in detail in the chapter **9.3 Instruction for seal and piston placement**.

8 PACKING, DELIVERY AND STORAGE

The pool lift is delivered partially disassembled in two wooden boxes.

The pool lift is assembled on site.

During transport, protect the pool lift from falling, tipping over, and strong vibrations.

Store the pool lift in a dry, clean, and dust-free indoor area with temperatures between 5° and 40°C and a maximum humidity of 80%.

The pool lift must not be exposed to chemicals.

9 ATTACHEMENTS

9.1 List of parts

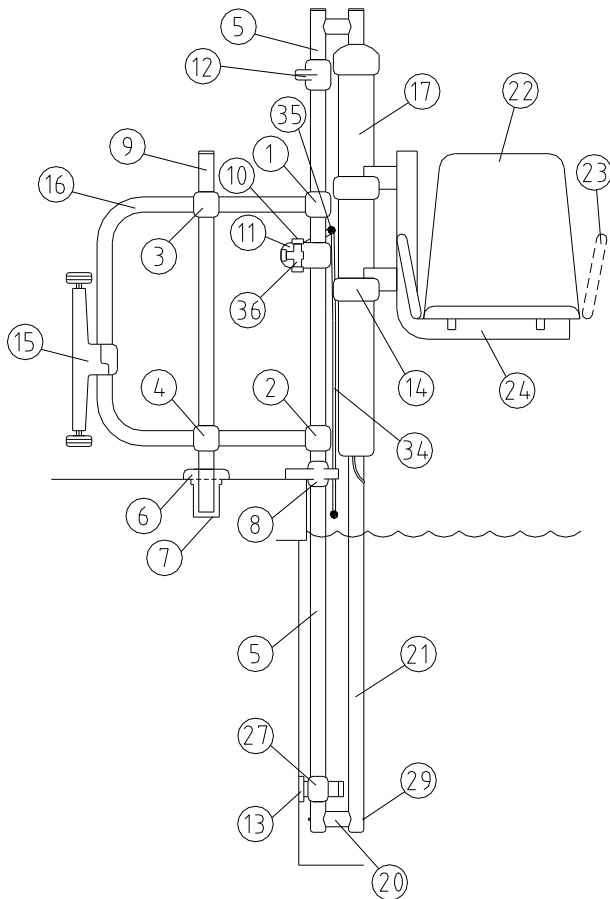


Fig. 9.1 – parts list

Pos.	Drawing no.	Description
1.	B1000.013	T - sleeve
2.	B1000.013	T - sleeve
3.	B1000.012	Cross sleeve
4.	B1000.012	Cross sleeve
5.	B1000.002	Main pipe
6.	B1000.018	Protective ring
7.	B1000.017	Countersunk console
7A.	B1000.003	Console on the floor
8.	B1000.014	Edge support
9.	B1000.006	Vertical support
10.	B1000.054	Pressurized water supply line
11.	1000.016	Valve sleeve
12.	B1000.012	Lock
13.	B1000.007	Lower support
14.	B1000.009	Sleeve for seat holder
15.	B1000.040	Carriage
16.	B1000.005	C-pipe
17.	B1000.022	Cylinder
18.	B1000.029	Seal (not shown)
19.	B1000.024	Upper piston (not shown)
19 A.	B1000.023	Lower piston (not shown)
20.	B1000.004	Mounting tube
21.	B1000.001	Piston rod
22.	B1000.057	Seat
23.	B1000.038	Left armrest (on order)
24.	B1000.008	Seat frame
25.	B1000.030	Cover (not shown)
26.	B1000.031	Key for cover (not shown)
27.	B1000.015	Lower cross connection
28.	B1000.005E	Extension C-tube (not shown)
29.	B1000.051	Main fastening screw
30.	B1000.058	Spiral nut (not shown)
31.	B1000.053	Seat belt (not shown)
32.	B1000.054	Drain pipe (not shown)
34.	B1000.020	Control rod
35.	B1000.032	Control lever
36.	B1000.055	Valve

9.2 Mechanical scheme

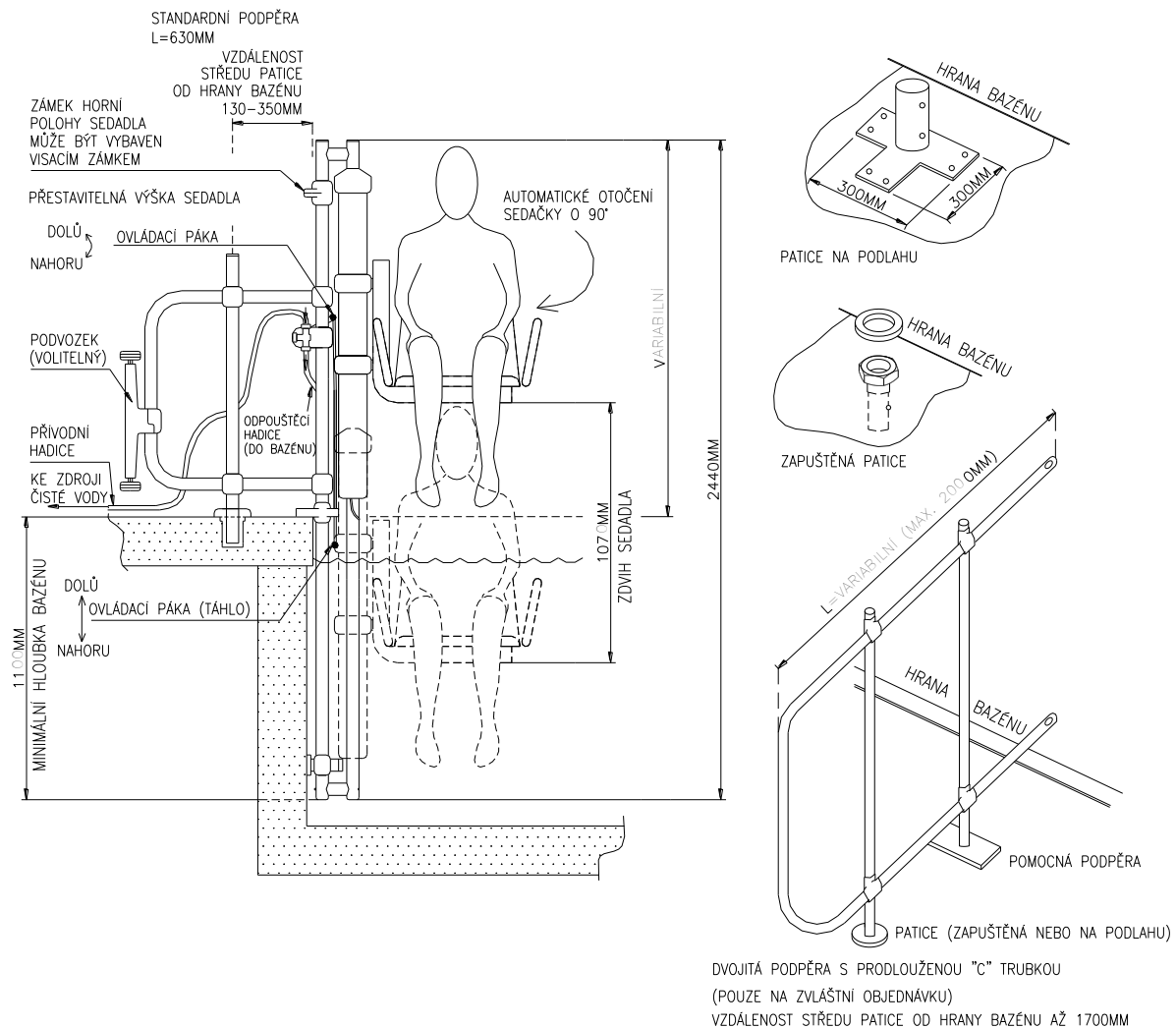
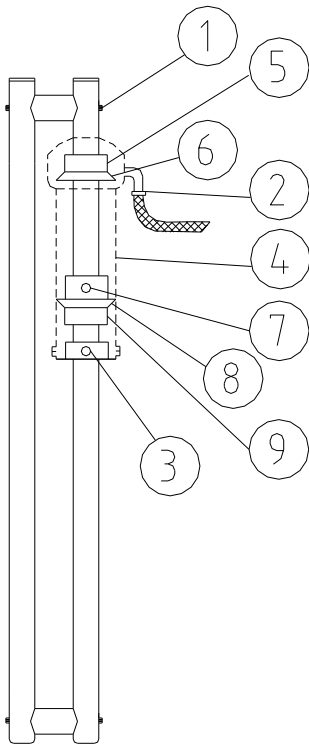


Fig. 9.2 – Mechanical scheme

Technical details

- Minimum water pressure: 0.3 MPa (at a load of 85 kg)
- At a maximum load of 120 kg, a water pressure of 0.4 MPa is required.
- Recommended pressure water pipe: Type MPVC10/14.5 (inner diameter of 10 mm must be maintained).
- The operating lever is easily accessible both at entry level and at water level.
- The seat rotates 90°.
- The pool lift can be attached to various types of swimming pools.
- Double support with extended C-tube, left armrest, transport wheels, and seat belt available as special orders.

9.3 Instruction for seal and piston placement



1. Remove the screw from the lower and upper ends of the main pipe.
2. Remove the pressure water pipe.
3. Remove four screws from the cylinder base.
4. Push the cylinder out of the piston rod.
5. Push out the upper piston.
6. Push out the upper seal.
7. Remove the three screws from the spacer element on the lower piston and push out the spacer element.
8. Push out the lower seal.
9. Push out the lower piston.

After the visual inspection, replace the worn seals and pistons and reassemble the cylinder in reverse order.

Before using it, make sure that these screws are aligned in the center of the main pipe. Then tighten the screws.

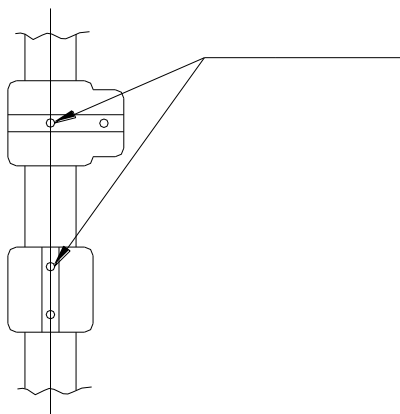


Fig. 9.3 - Instructions for replacing seals and pistons

10 CE DECLARATION OF CONFORMITY

The manufacturer: Lehner Liftechnik GmbH
Mitterweg 4
4722 Peuerbach, Austria



hereby declares under its sole responsibility that the machine described below:

Designation: Poollift for persons with reduced mobility
Type and commercial designation: **Delphin**

whose data are described in the user manual, complies with European directives by having all the necessary safety features and thus eliminating risks as far as possible.

Applied European directives:
2006/42/EC (Machinery Directive),

Applied standards:
EN ISO 12100:2010 Safety of machinery

For the product as delivered from the factory.

The technical documents managed:
Lehner Liftechnik GmbH
Mitterweg 4,
4722 Peuerbach, Austria

This declaration becomes invalid if the machine is modified or altered or if the provisions of the "Delphin - User Manual" are not observed.



Lehner Christian
Managing Director

Peuerbach,
28.10.2025

